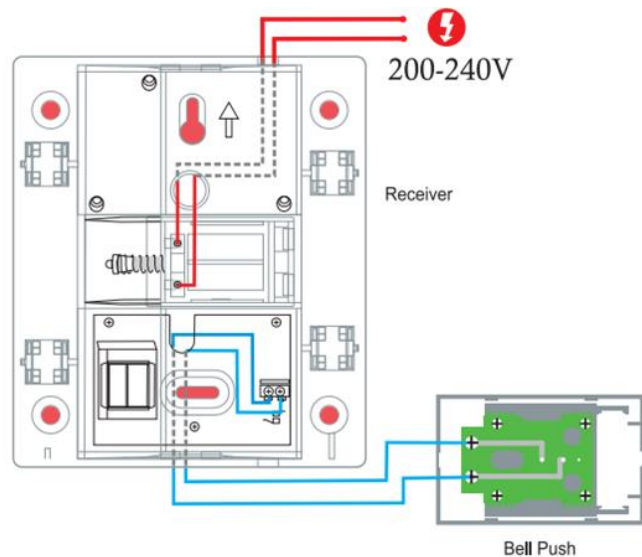


## Description

230V Wired Mechanical Sound Door Chime

CP-E23-40

## Wiring Diagram



## Technical Specification

- Working voltage: 220V - 240V 50/60Hz
- Max. operating power: < 9W
- Standby power: ~1.5W
- Sound volume: >80±10 dBA @ 1 metre
- Mechanical Ding-Dong Sound
- Can be connected with Metallic or Plastic bell push